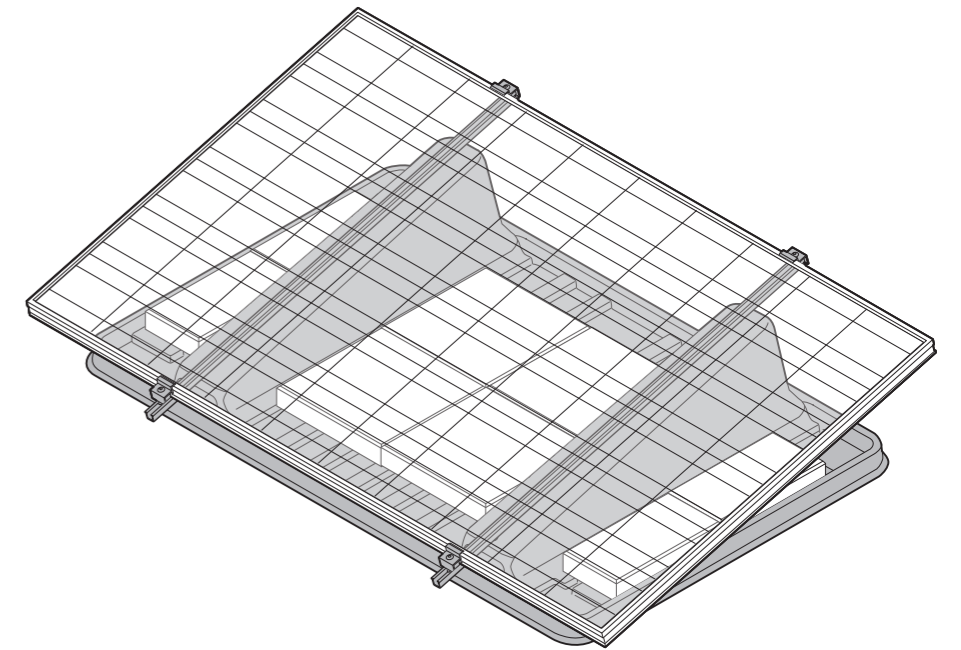


FRS60 Flat roof mounting system



➤ Installation instructions

The Netherlands
 Ubbink bv
 Verhuellweg 9
 NL - 6980 AA Doesburg
 Tel. +31 (0) 313 480 200
 Fax +31 (0) 313 473 859
 info@ubbink.nl

UK
 Ubbink UK Ltd.
 Borough Road
 GB - NN137TB Brackley
 Tel. +44 (0) 1280 700 211
 Fax +44 (0) 1280 705 332
 info@ubbink.co.uk

Italy
 CENTROTHERM Gas Flue
 Technologies Italia S.R.L.
 Via Antonio Meucci 1
 I - 37024 Arbizzano VR
 Tel. +39 (0) 45 60 20 433
 Fax +39 (0) 45 60 20 505
 info@centrotherm.it

Germany
 Ubbink Deutschland GmbH
 Reisholzer Werftstrasse 35
 D - 40589 Düsseldorf
 Tel: +49-211-828559-245
 Fax: +49-211-828559-29
 info@ubbink.de

Belgium
 Ubbink nv
 Jan Samijnstraat 9
 B - 9050 Gentbrugge
 Tel. +32 (0) 923 711 00
 Fax +32 (0) 923 711 29
 info.bouw@ubbink.be

France
 Ubbink France S.A.S.
 13, rue de Bretagne
 F - 44243 La Chapelle Sur
 Erdre Cedex
 Tel. +33 (0) 251 134 646
 Fax +33 (0) 251 134 546
 ubbink@ubbink.fr

Before you begin

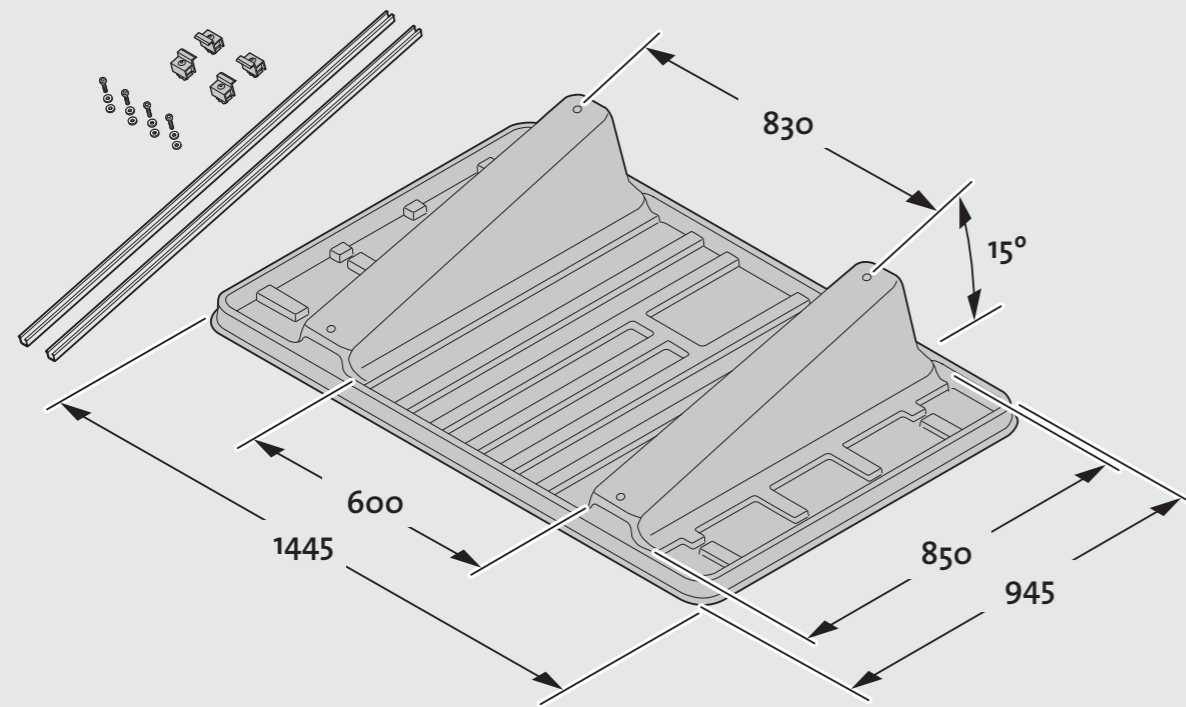
⚠ Before installation make sure that roof construction and roofing allow for placing the Solar system (weight of installation, ballast, etc).

| BALLAST TABLE | H < 4 m | 4 m < H < 8 m | 8 m < H < 12 m | 12 m < H < 16 m |
|---------------|---------|---------------|----------------|-----------------|
| Zone III | 61 kg | 89 kg | 105 kg | 119 kg |
| Zone II | 81 kg | 114 kg | 133 kg | 151 kg |
| Zone I | 100 kg | 140 kg | 165 kg | 183 kg |

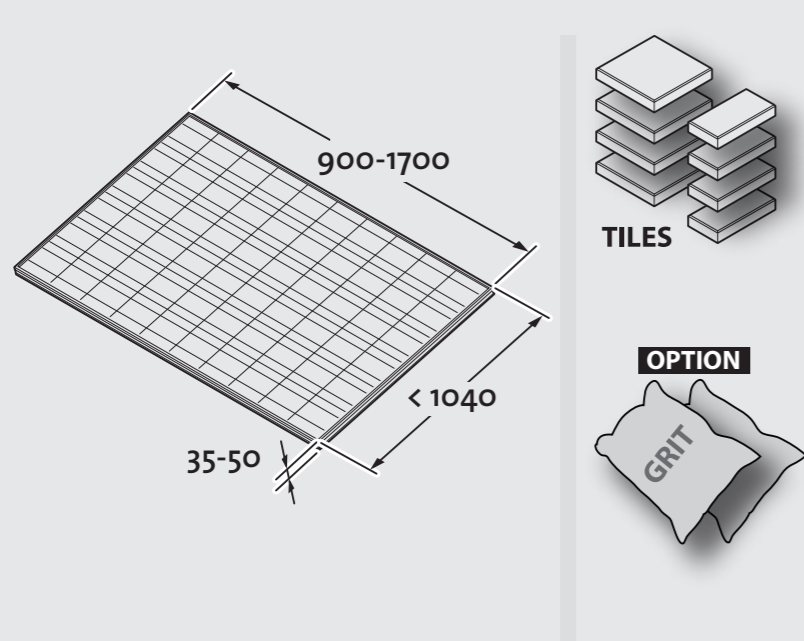
Ballast table for wind zones according to Dutch regulations for built up area's outside coastal regions NEN6702, calculated along NVN7250

Components and tools

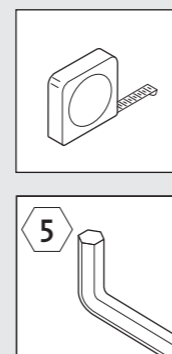
COMPONENTS INCLUDED



COMPONENTS NOT INCLUDED

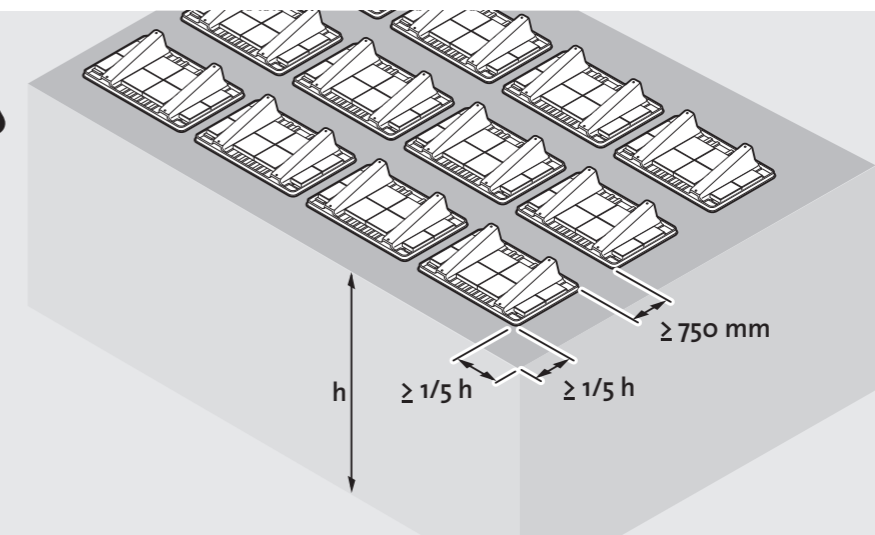


TOOLS REQUIRED

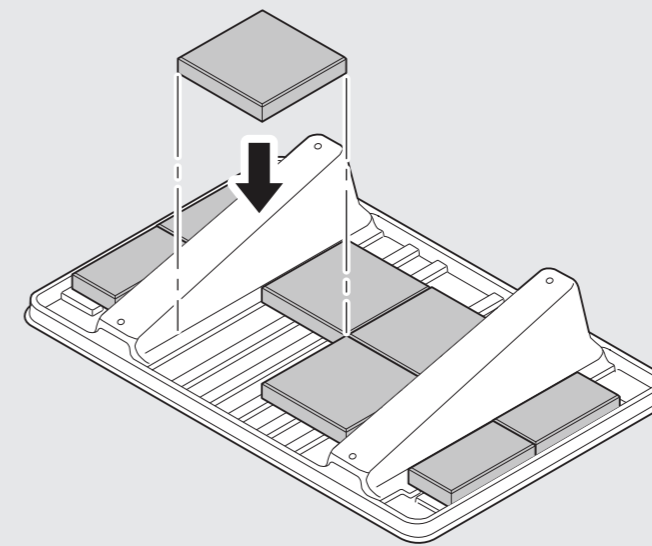


Installation

1



2



OPTION



3

