

SOL.Connect® MultiScan & MultiIO

Universal field bus A/D-converter

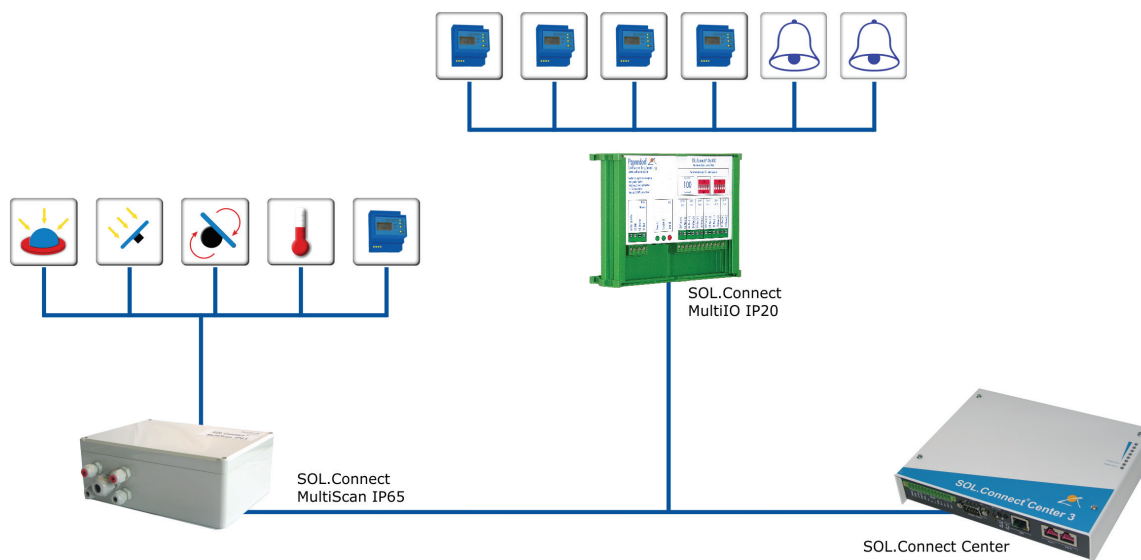
Peripherals for measurement value logging and in/output of signals per SOL.Connect® Center

Weather, climate, and environmental data allow general conclusions about the possible yield situation. Location and plant specific data are necessary to reliably check qualitative properties for solar constructions (e.g. comparing the nominal and actual values)



NEW

SOL.Connect MultiScan light, the inexpensive option for small PV-plants. A preconfigured sensor module with a reduced range of functions. Please feel free to contact us!



Features

- **SOL.Connect® MultiScan** (universal A/D-converter module) for metering of transducers, sensors, counters and transmitters.
- Logging of voltage metering 0 .. 20mV, 0 .. 150mV, PT1000, impulse and current metering 0 .. 20mA as well as 0 .. 10V
- Logging interval 1 min, 10s as average or spot value, chronologically synchronized
- Measurement accuracy (from Version 3.6): Measurement input
 - PT1000 2-wire: error (FSR*) 0,06% typ., 0,1% max.
 - 10V, 2,5V: error (FSR*) 0,06% typ., 0,4% max.
 - 20mA: error (FSR*) 0,08% typ., 0,4% max.
 - 150mV: error (FSR*) 0,03% typ., 0,05% max.
 - 20mV: Fehler (FSR*) 0,03% typ., 0,05% max.

- **SOL.Connect® MultiIO** (universal IO-module) for the integration of fault indicators or digital counters, factory configurable

Technology

- Connectable via field bus RS485 up to 2000m cable length
- Power supply: 12...24Vdc, 1...40mA depending on the connection
- Operation temperature -10°C ... +50°C
- CE, Made in Germany

Variants

- IP40 aluminium profile case: 110 x 60 x 25mm (W x H x D)
- IP65 polycarbonate: 200 x 150 x 77mm (W x H x D)